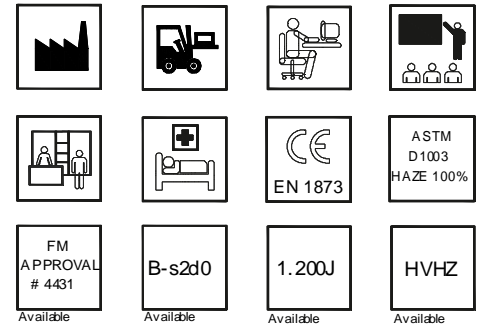
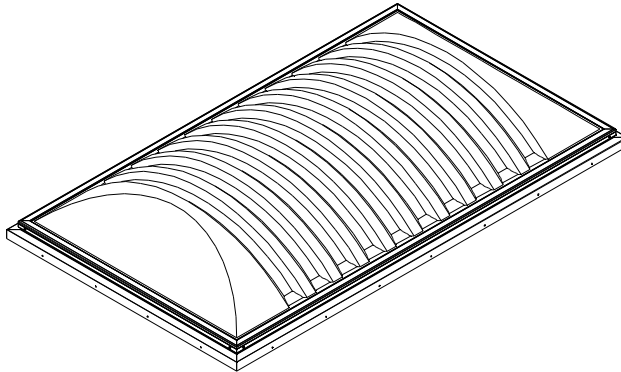


Signature Series Dome

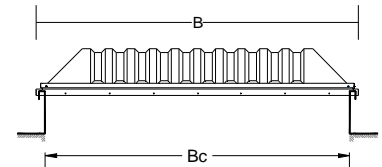
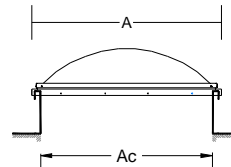
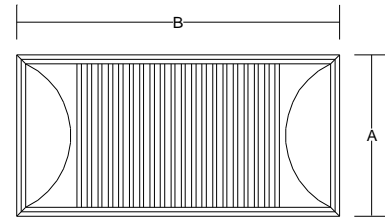
Frame 800MD



LLEDÓ SUNOPTICS	VLT	U-value	SHGC
DG PMMA/PMMA	0,68	1,8	0,42
DG Poly/Poly	0,64	1,8	0,42
TG PMMA/PMMA/PMMA	0,62	1,5	0,33
TG Poly/Poly/Poly	0,58	1,5	0,33

LLEDÓ SUNOPTICS			Roof Aperture * Apertura *	
MODEL	A (mm)	B (mm)	A _c (mm)	B _c (mm)
2020	692	692	610	610
2040	692	1.302	610	1.220
2080	692	2.521	610	2.440
3030	997	997	910	910
3080	997	2.521	910	2.440
4040	1.302	1.302	1.220	1.220
4070	1.302	2.216	1.220	2.130
40100	1.327	3.131	1.240	3.050
5050	1.607	1.607	1.520	1.520
5060	1.616	1.921	1.530	1.840
5080	1.607	2.521	1.520	2.440

* Standard Curb
Zócalo Estándar



Sunoptics Signature Series Dome Frame Model 800MD manufactured by Sunoptics Skylights, 6201 27th St, Sacramento, Ca. 95822 916/395-4700.

Sunoptics Signature Series Dome Marco Modelo 800MD fabricado en Sunoptics Skylights, 6201 27th St, Sacramento, Ca. 95822 916/395-4700.

Double or Triple Glazing with prismatic lens available in PMMA or Polycarbonate.
Disponible en doble o triple capa con lentes prismáticas en PMMA o Policarbonato.

Skylight frames fabricated from 6063 T6 aluminum.
Corners welded.

Glazing separated from the skylight frame with a Silicon Seal.

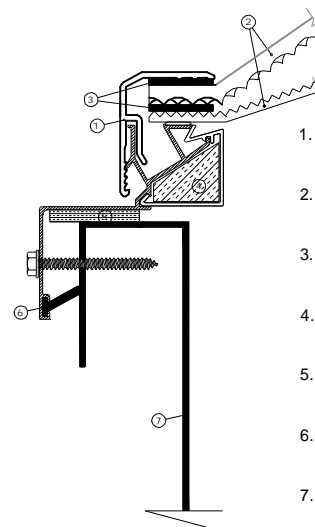
Frames with integral condensation and weepage gutters which drain interior moisture to the outside.

Marco fabricado en aluminio 6063 T6

Esquinas del marco soldadas.

La cúpula está separada del marco mediante un sellador de silicona.

El marco dispone de un canal de drenaje al exterior para evitar posibles condensaciones.



1. Aluminum Frame
Marco de Aluminio
2. DG: Clear Prismatic + White Prismatic
DG: Capa Prismática Translúcida + Blanca
3. Continuous Silicone Seal
Sellador de Silicona
4. Insulated Thermal Break Frame
Rotura de Puente Térmico
5. Foam Curb Seal
Sellador del Zócalo
6. Vinyl Weather Sweep
Vinilo Protector
7. Curb
Zócalo

Subject to modifications and errors